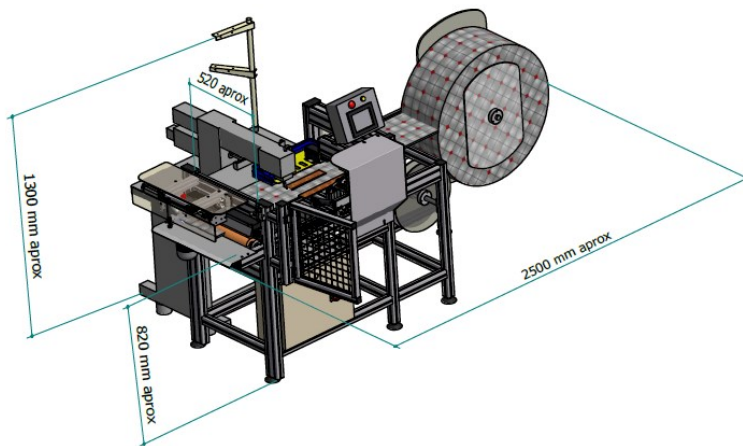
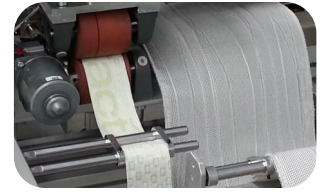
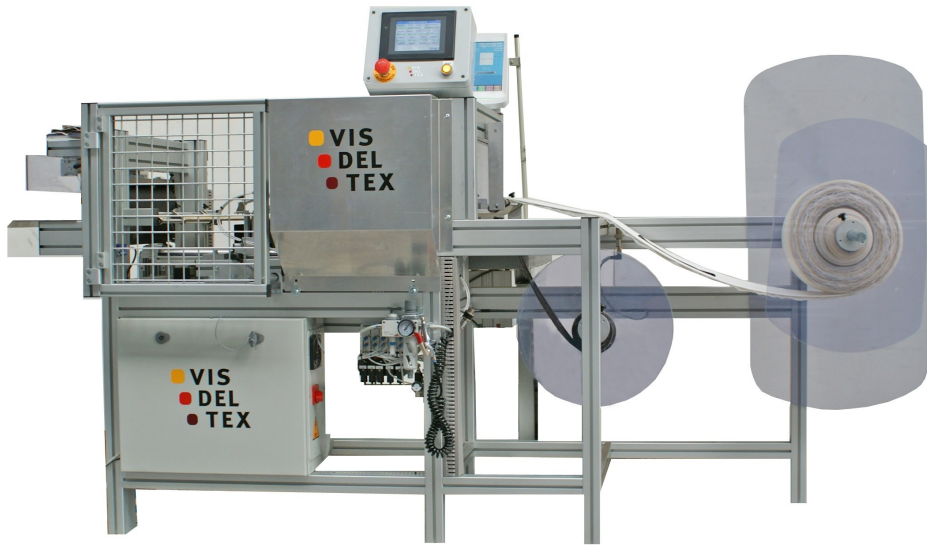


VT APU 03



Band width	Up to 400 mm
Band handle	Up to 50 mm
Materials feeder	Band support Handle support
Handle feeding	Automatic (From roll) Manual (Pre cutted handles)
Cutting devices	Handle cut - Scissors activated pneumatically Band cut - Rotative blade

Power supply	220 V / 240 V	50Hz / 60 Hz
Pneumatic supply	6 Bar	
Weight	380 Kg	