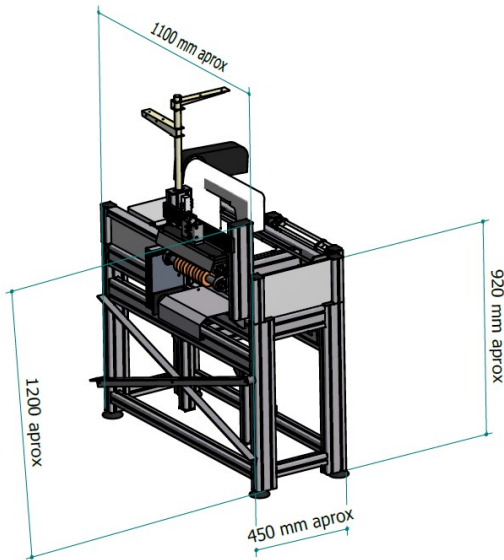
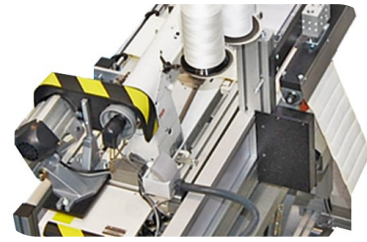




# VT APU B2



Band width	Up to 300 mm
Sewing heads	PFAFF Chainstitch Thread break detectors
Materials feeder	Feeder for 3 materials
Winder	Winder for finished product

Power supply	220 V / 240 V    50Hz / 60 Hz
Pneumatic supply	6 Bar
Weight	740 Kg