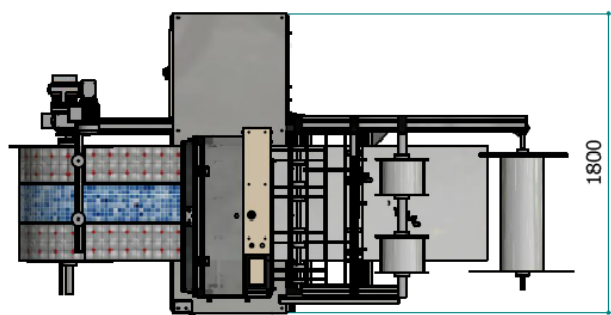
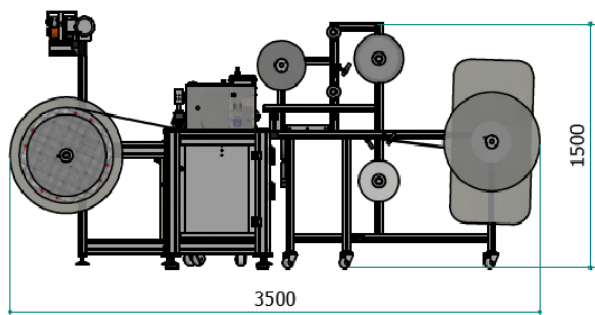
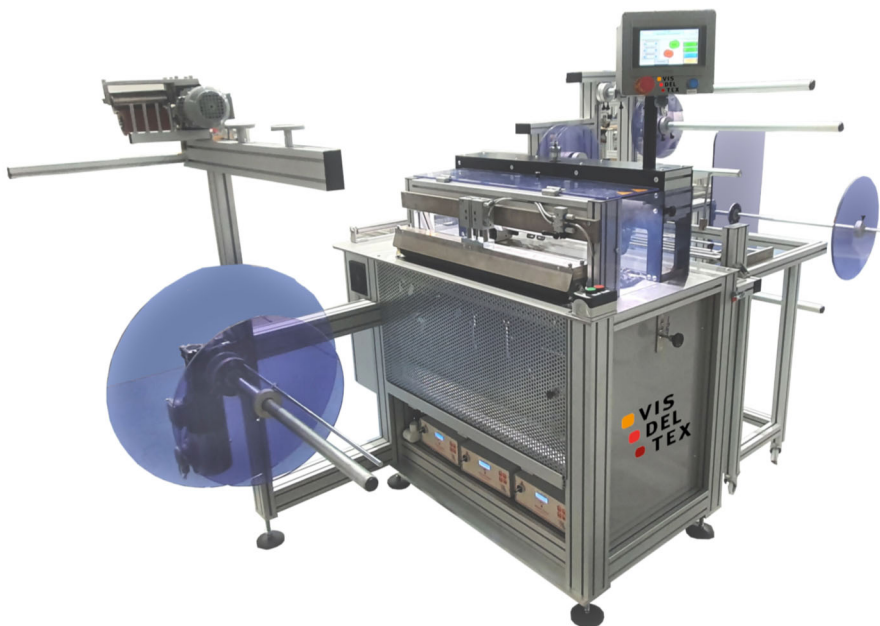




SERIE VU PLATABANDA



	VU 250	VU 500	VU 600
Engraving área	Up to 250 mm	Up to 500 mm	Up to 600 mm
Cutting width	Up to 700 mm From 1 a 4 cutting devices		
Speed	Up to 10 m / min (Depending on the materials)		
Engraving device	1500 w 20 KHz Digital generator. Auto tuning system		
Cutting device	150 w 35 KHz Digital generator. Auto tuning system		

Power supply	220 V / 240 V	50Hz / 60 Hz
Pneumatic supply	6 Bar	
Weight	370 Kg	